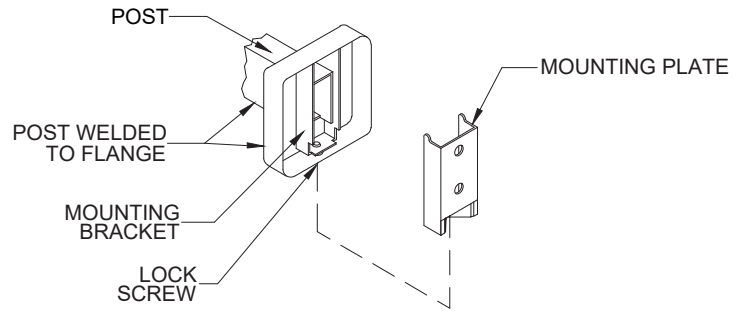
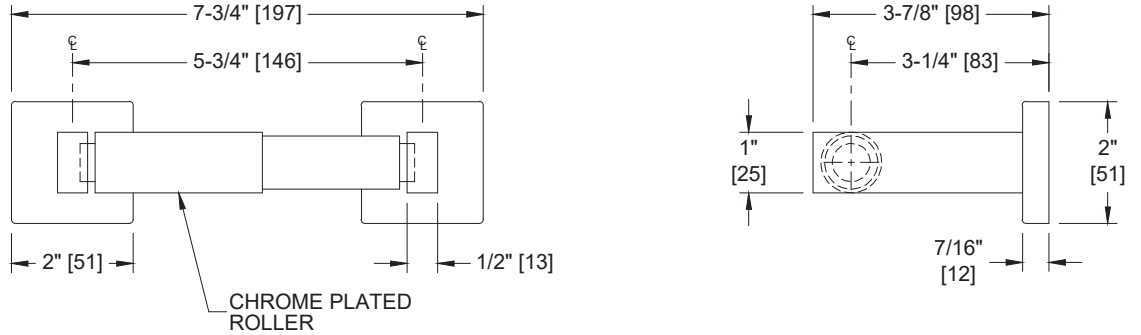


Toilet Tissue Holder (Single) – Matte Black Powder Coated – Surface Mounted

Toilet Tissue Dispensers

MasterFormat Section 10 28 13



Scan for Information



SUSTAINABILITY/LEED

MR 4.1 (1) MR 6 (1) EQ 4.2 (1)
MR 4.2 (1) EQ 4.1 (1) EQ 4.4 (1)

NOTE:
ALL DIM'S INCH [MM]
ILLUSTRATION FOR REF ONLY AND NTS

PRODUCT OVERVIEW

Matte Black Powder Coated type 304 stainless steel with chrome plated roller. Heavy gauge concealed bracket mounts on wall. Holds 1800 sheet standard core roll. *For theft-resistant spindle add R-009 after model number. Surface Mounted Single Toilet Paper Holder unit shall hold and dispense one roll of standard core roll tissue up to 5-1/2" Dia [Ø140].

KEY FEATURES & SPECIFICATIONS

- Single Roll Dispenser
- Type 304 Stainless Steel - Matte Black Powder Coated
- Surface Mounted
- Mounting plates (included) shall be 18 gauge steel

OPERATION & MAINTENANCE

Spring-loaded spindles revolve freely and hold rolls until cores are removed.

TECHNICAL INFORMATION / PRODUCT PROPERTIES

Property	Value
Dimensions	7-3/4" [207] W x 2" [51] H x 3-7/8" [98] D
Construction	Type 304 Stainless Steel - Matte Black Powder Coated
Mounting	Surface Mounted
Capacity	Holds one (1) roll of standard core roll toilet paper up to 6" Dia. [Ø152]

INSTALLATION

Surface mount unit on wall using #10 self-threading screws (by others) through holes provided in mounting plates into suitable prepared mountings (by others) or other suitable mounting hardware (by others) to suit wall conditions. Hang post and flange assemblies on mounting plates and tighten setscrews to lock units to plates. For compliance with ICC/ANSI A-117.1-2003 and 2010 ADA Accessibility Standards install unit so that center line of dispenser is 7" [178] min to 9" [229] Max in front of toilet and dispenser center is 15" [381] Min AFF to 48" [1219] Max AFF. Recommended mounting height for general utility is 30" [762] AFF to centerline of roll and 14" [356] from front of commode to centerline of dispenser.

OPTIONS

N/A

WARRANTY

One (1) Year from date of Invoice